

GH

adira

METAL FORMING SOLUTIONS



SHEARS GH

TECHNICAL DATA SHEETS

Shears

GH

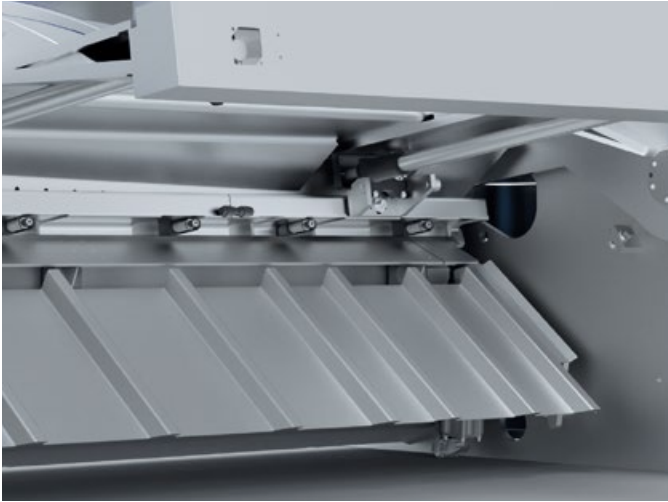
The ADIRA GH range of hydraulic shears are robust and reliable, characterised by their swing cut and low angle of fixed cut.



Regulation of the gap between blades, manual or automatic adjustment, variable according to the type and thickness of the material being cut.



Side arch allows for repeat cuts on sheets longer than the nominal length of the machine.



Main Features

Possibility of retracting the back gauge at the end of the 1000-mm stroke

High tamping strength, proportional to the cutting strength

Blocks with material protections eliminate or minimise markings on the material

Adjustment of the length of the cut to increase the cutting pace on shorter sheets

Benefits

Different cutting capacities and lengths;

Hydraulic Shears with Swing Cut;

Numerical control with CybTouch8 touch screen (GH Plus);

Motorised gap control, controlled by standard CNC (GH Plus);

Mechanical, Hydraulic and simple Electronics;

Rigid, compact back gauge.

They can handle sheet metal measuring 2 to 6 metres, with thicknesses up to 13mm. There are also a wide range of accessories and optional extras, increasing their flexibility of use.

EFFICIENCY AND EFFECTIVENESS

Reduced demand on the machine frame when cutting thicknesses less than the maximum machine capacity.



TECHNICAL DATA SHEETS

GH		00420	00630	00640	00660	01030	01040	01330	01340	01360
Cutting capacity (normal speed)		PLUS	GH/PLUS	PLUS	PLUS	GH/PLUS	PLUS	GH/PLUS	PLUS	PLUS
Mild Steel (45 daN/mm ²)	mm	4	6,5	6,5	6,5	10	10	13	13	13
Stainless Steel (70 daN/mm ²)	mm	2,5	4	4	4	6,5	6,5	8	8	8
Cutting length	mm	2050	3050	4050	6100	3050	4050	3050	4050	6120
Side Throat Depth	mm	260	260	260	260	260	260	260	260	260
Cutting angle	degrees	11/6	11/3	11/3	11/6	2	11/2	2	11/2	12/5
Adjustment of gap between blades	mm	0,05 - 0,6	0,05 - 1,1	0,05 - 1,1	0,05 - 1,2	0,05 - 1,6	0,05 - 1,6	0,05 - 2	0,05 - 2	0,05 - 2
Electric motor power	kW	9	7.5/15	15	18	11/15	15	15/18	18	18
Number of Hold-Downs	-	9	13	19	25	16	22	16	22	31
Back gauge stroke	mm	1000	1000	1000	1000	1000	1000	1000	1000	1000
Cutting frequency	stroke/min	45	13/24	21	19	7/10	11	6/9	8	6
Dimensions (CE Machine)										
Length	mm	2950	3950	4980	7120	3980	4980	3980	4980	7100
Width	mm	2480	2480	2480	2580	2820	2820	2820	2820	3100
Width for transport	mm	2180	2180	2180	2280	2280	2280	2280	2280	2450
Height	mm	1730	1730	1825	2150	2150	2150	2150	2150	2400
Approximate Weight	Kg	5000	5900	8100	15000	10000	13500	10000	13500	31000



Equipment		GH	GH PLUS
Models	GH0420		■
	GH0630	■	■
	GH1030	■	■
	GH1330	■	■
	GH0640		■
	GH1040		■
	GH1340		■
	GH0460		■
	GH0660		■
	GH1360		■
Gap	Manual blade gap adjustment for GH	■	
	Motorized blade gap adjustment for GH PLUS		■
Functions	Support Table for Thin Sheets (SCSC)	■	
	Support Table for Thin Sheets with Pins		■
Arms	Front Support Arm with Scale L=1100 mm	standard	standard
	Additional Front Support Arm with Scale L=1100 mm	■	■
	Two Front Support Arms without Scale L=1100 mm	■	standard
	Front Support Arm without Scale L=1100 mm	standard	■
	Additional Front Support Arm without Scale L=1100 mm	■	■
	Front Support Arm with Scale and pedestal L=2050 mm	■	■
	Front Support Arm without Scale, with pedestal L=2050 mm	■	■
	Squaring arm with scale and pedestal L=2050mm	■	■
	Pillow Bearings	standard	standard
	Support with 2 ball transfer units	■	■
	Two squaring guides	standard	standard
	Long squaring guide L=1100 mm	■	■
Back gauges	One front gauge	■	standard
	One retractable gauge	standard	standard
	Goniometer with auxiliary back gauge	■	■
	Front gauge (1 additional unit)	■	■
	Retractable back gauge (1 additional unit)	■	■
Safety	Rear protection via photoelectric cell	standard	standard
	Without CE safety	■	■
	Guard block with photoelectric cell	■	■
	Guard block with tilting fraction	■	■
Controls	Adiramatic 4087 Control	standard	
	Cybtouch 8 Control		standard
	Hanging Controls (Cybtouch 8)		■
Other	Voltage 220 V; 60 Hz	■	■
	Insulating Supports	■	■
	Special Paint	■	■



Rua das Lages 67 . 4410-272 Vila Nova de Gaia

T.: +351 226 192 700 . adira@adira.pt